



SPICER[®]
Off-Highway Products

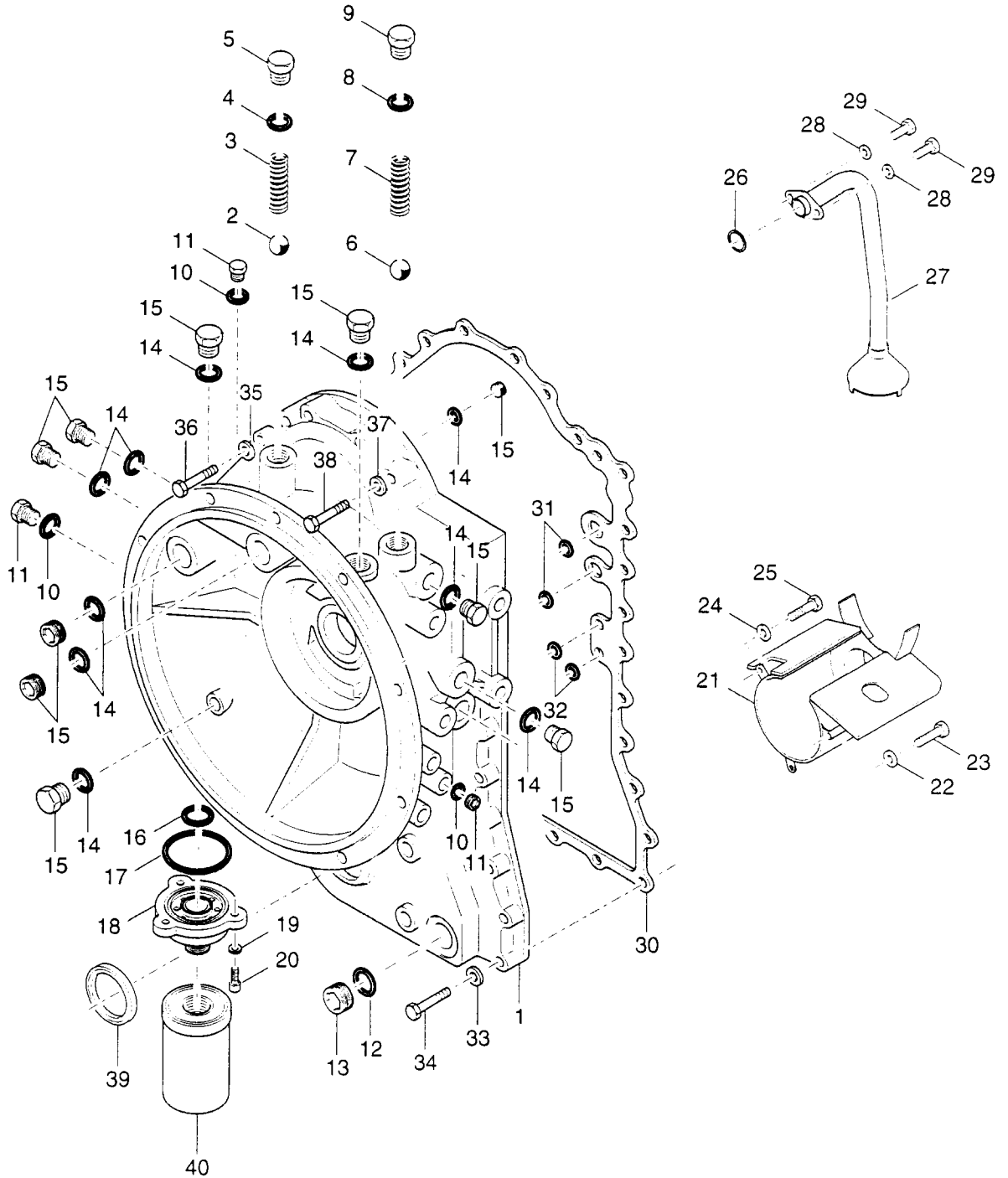
Service Parts List

Transmission
1217FT16000-14
4261729

TPL-2070
July 2001

T16000

CONVERTER HOUSING GROUP





T16000

CONVERTER HOUSING GROUP

<u>Item</u>	<u>Qty</u>	<u>Part Number</u>	<u>%</u>	<u>Description</u>
1	1	4203970	E	Converter Housing Assembly
2	1	10J24		Ball
3	1	4204243		By – pass Spring
4	1	76K119		Plug “O” Ring – Part Of Item 5
5	1	4204244		Plug – Including Item 4
6	1	19JM250		Ball
7	1	4203857		Safety Valve Spring
8	1	76K123		Plug “O” Ring – Part Of Item 9
9	1	4203848		Plug – Including Item 8
10	3	76K11		Plug “O” Ring – Part Of Item 11
11	3	4203846		Plug – Including Item 10
12				Not Used On This Model
13				Not Used On This Model
14	10	76K116		Plug “O” Ring – Part Of Item 15
15	10	4203847		Plug – Including Item 14
16	1	4204245	B	Filter Adaptor “O” Ring
17	1	25K030228	B	Filter Adaptor “O” Ring
18	1	4205241		Filter Adaptor
19	3	6EM100		Filter Adaptor Screw Lockwasher
20	3	1GM1025		Filter Adaptor Screw
21	1	4204313		Oil Baffle
22	2	6EM100		Oil Baffle Mounting Screw Lockwasher
23	2	1GM1016		Oil Baffle Mounting Screw
24	1	6EM100		Oil Baffle Mounting Screw Lockwasher
25	1	1CM1016		Oil Baffle Mounting Screw
26	1	76K218	B	Suction Tube “O” Ring
27	1	4204237		Suction Tube Assembly
28	2	6EM100		Suction Tube Mounting Screw Lockwasher

N.S.S. – Not Sold Separately
% - Part Stock Recommendation

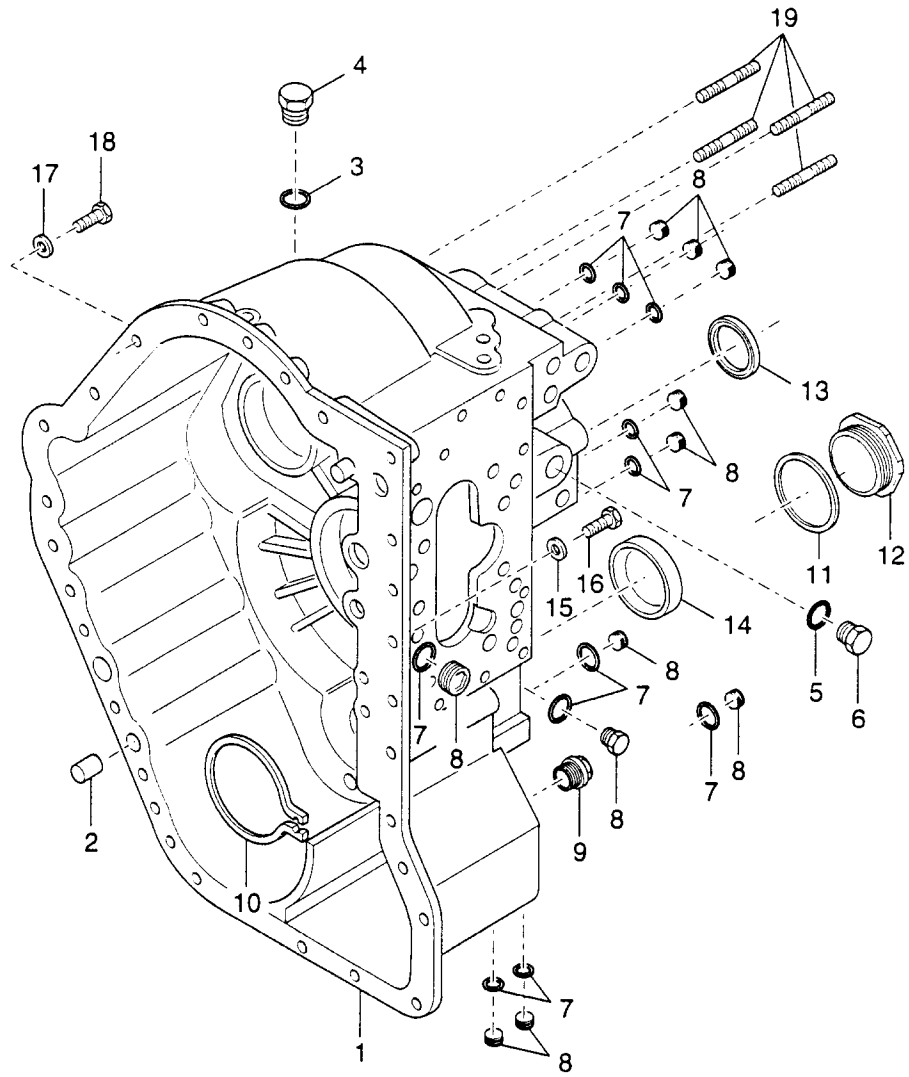


<u>Item</u>	<u>Qty</u>	<u>Part Number</u>	<u>%</u>	<u>Description</u>
29	2	1GM1016		Suction Tube Mounting Screw
30	1	4203901	B	Converter Housing To Transmission Case Gasket
31	2	60K020028	B	Converter Housing To Transmission Case "O" Ring
32	2	76K13	B	Converter Housing To Transmission Case "O" Ring
33	14	6EM100		Converter Hsg. To Transm. Case Screw Lockwasher
34	14	7CM1050		Converter Hsg. To Transm. Case Screw
35	2	6EM100		Converter Hsg. To Transm. Case Screw Lockwasher
36	2	7CM1030		Converter Hsg. To Transm. Case Screw
37	4	6EM100		Converter Hsg. To Transm. Case Screw Lockwasher
38	4	7CM1080		Converter Hsg. To Transm. Case Screw
39	1	4203860	B	Output Shaft Seal (Front)
40	1	4203691	B	Filter Assembly

N.S.S. – Not Sold Separately
% - Part Stock Recommendation

T16000

TRANSMISSION CASE GROUP





T16000

TRANSMISSION CASE GROUP

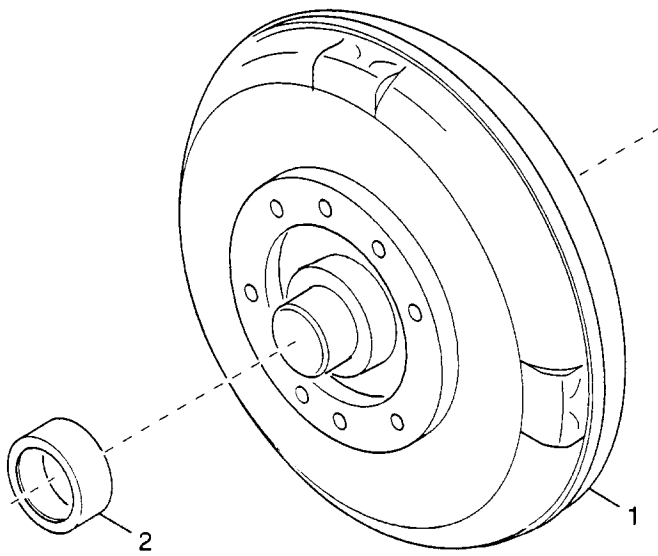
<u>Item</u>	<u>Qty</u>	<u>Part Number</u>	<u>%</u>	<u>Description</u>
1	1	4204281	E	Transmission Case Assembly
2	2	4203907		Transmission Case To Converter Housing Pin
3	1	76K116		Plug "O" Ring – Part Of Item 4
4	1	4203847		Plug – Including Item 3
5	1	76K210		Plug "O" Ring – Part Of Item 6
6	1	4203849		Plug – Including Item 5
7	11	76K11		Plug "O" Ring – Part Of Item 8
8	11	4203846		Plug – Including Item 7
9	1	4203567		Magnetic Drain Plug
10	1	234229		Output Shaft Rear Bearing Snap Ring
11	1	219373	B	Plug Gasket
12	1	4204249		Plug
13	1	4203860		Output Shaft Seal (Rear)
14	1	4204250		Output Shaft Bore Plug
15	5	6EM100		Converter Hsg. To Transm. Case Screw Lockwasher
16	3	7CM1030		Converter Hsg. To Transm. Case Screw
16A	2	7CM1035		Converter Hsg. To Transm. Case Screw
17	4	6EM100		Converter Hsg. To Transm. Case Screw Lockwasher
18	4	7CM1030		Converter Hsg. To Transm. Case Screw
19	4	4204248		Stud

N.S.S. – Not Sold Separately

% - Part Stock Recommendation

T16000

TORQUE CONVERTER GROUP





T16000

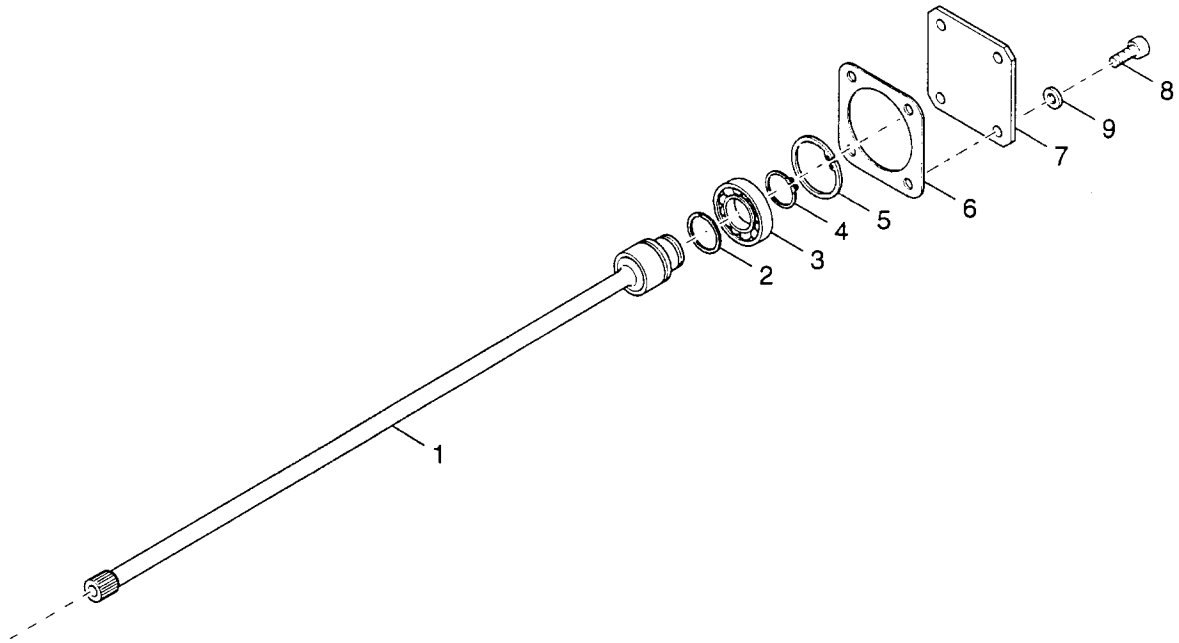
TORQUE CONVERTER GROUP

<u>Item</u>	<u>Qty</u>	<u>Part Number</u>	<u>%</u>	<u>Description</u>
1	1	4205230	E	Torque Converter & Bushing Assembly – Including Item 2
2	1	4203948		Torque Converter Pilot Bushing – Including In Item 1

N.S.S. – Not Sold Separately
% - Part Stock Recommendation

T16000

PUMP DRIVE GROUP





T16000

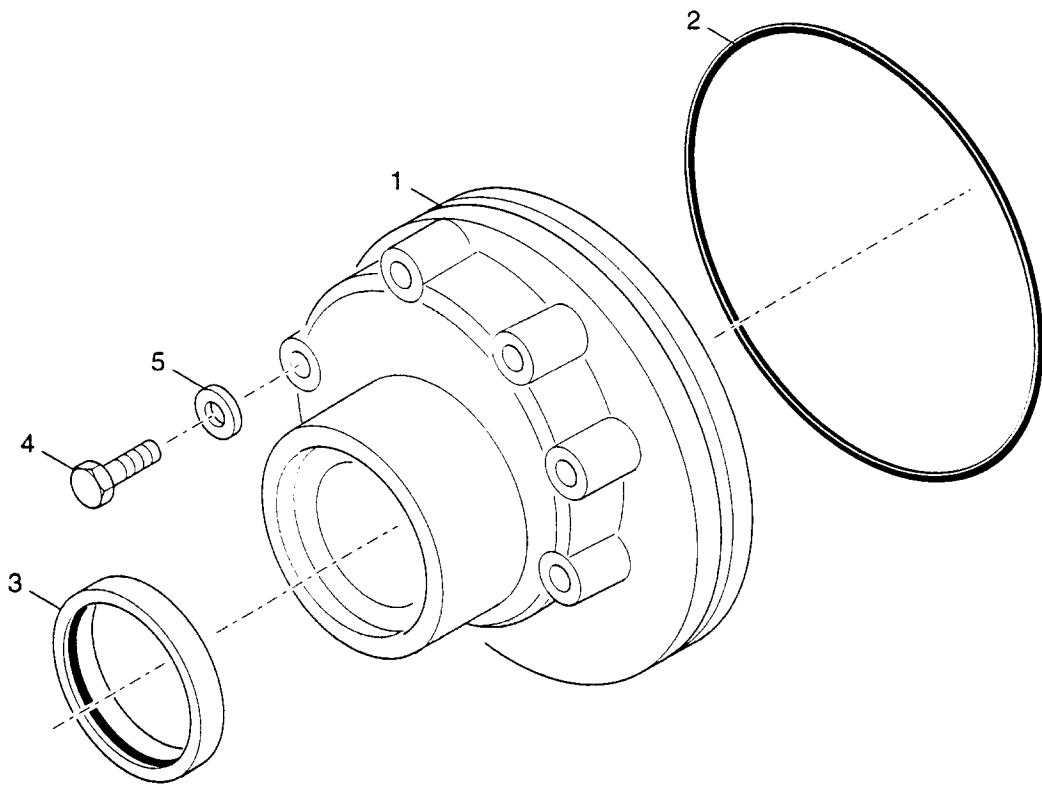
PUMP DRIVE GROUP

<u>Item</u>	<u>Qty</u>	<u>Part Number</u>	<u>%</u>	<u>Description</u>
1	1	4204235	E	Pump Drive Shaft
2	1	4203867	B	Piston Ring
3	1	230829	D	Pump Drive Shaft Bearing
4	1	5JM40		Pump Drive Shaft Bearing Snap Ring
5	1	7JM68		Pump Drive Shaft Bearing Retaining Ring
6	1	4201747	B	Pump Hole Cover Gasket
7	1	216355		Pump Hole Cover
8				Not Used On This Model
9	4	4E8		Pump Hole Cover Stud Nut Lockwasher
10	4	4204273		Pump Hole Cover Spacer Not Illustrated (for shipping)
11	4	62D8		Pump Hole Cover Stud Nut Not Illustrated (for shipping)
12	4	4204280		Aux. Pump Mounting Stud Nut Not Illustrated

N.S.S. – Not Sold Separately
% - Part Stock Recommendation

T16000

CHARGING PUMP GROUP





T16000

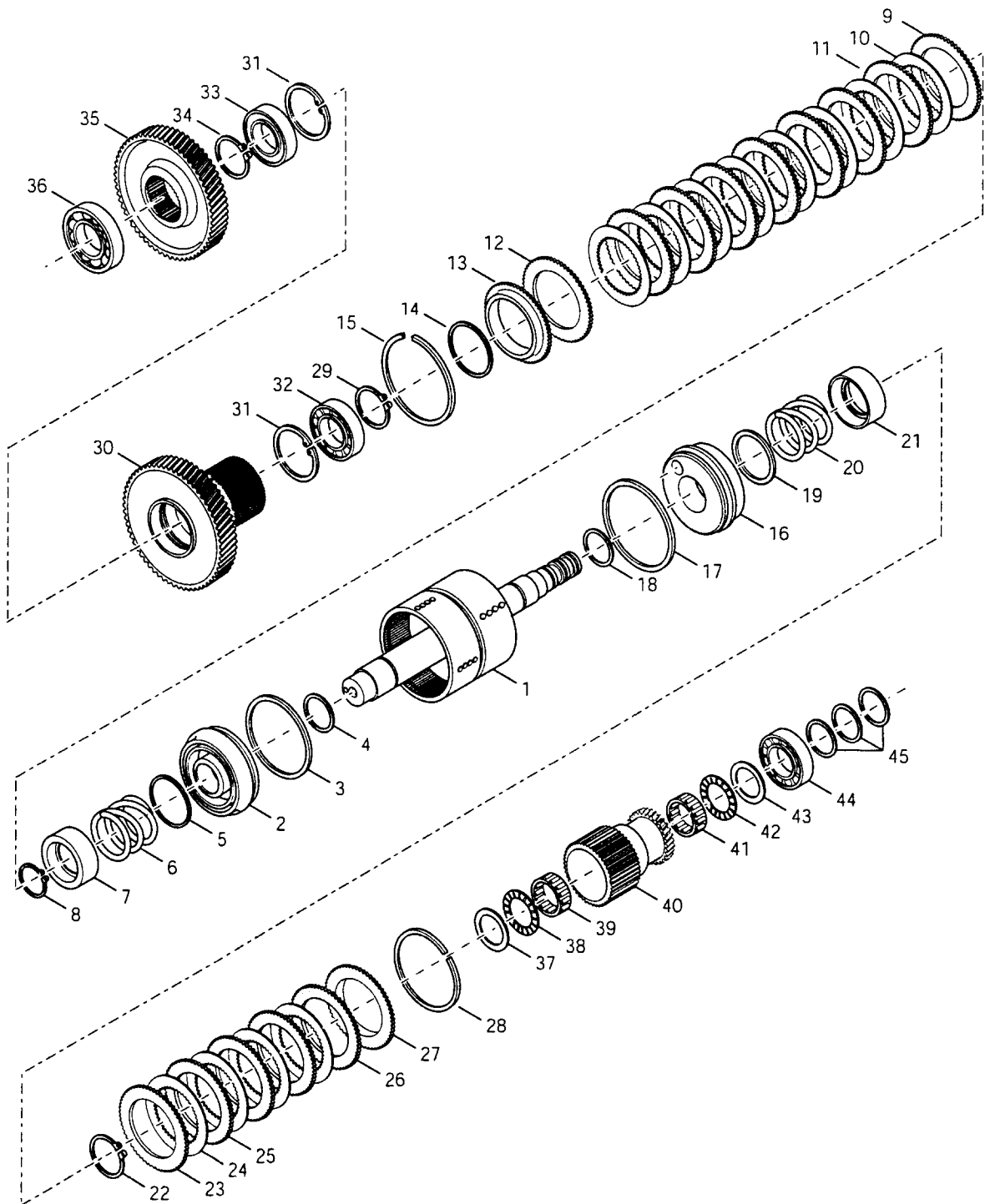
CHARGING PUMP GROUP

<u>Item</u>	<u>Qty</u>	<u>Part Number</u>	<u>%</u>	<u>Description</u>
1	1	4203850	D	Charging Pump Assembly – Including Items 2 And 3
2	1	4203844	B	Charging Pump “O” Ring
3	1	4204279	B	Charging Pump Oil Seal
4	6	1CM855		Charging Pump Mounting Screw
5	6	4203428		Charging Pump Mounting Screw Seal Washer

N.S.S. – Not Sold Separately
% - Part Stock Recommendation

T16000

FWD LOW / FWD HIGH SHAFT AND GEARS GROUP





T16000

FWD LOW / FWD HIGH SHAFT AND GEARS GROUP

<u>Item</u>	<u>Qty</u>	<u>Part Number</u>	<u>%</u>	<u>Description</u>
1	1	4206063	E	Fwd Low / Fwd High Shaft Drum & Plug Ass'y
2	1	4203742	C	Clutch Piston & Seals Ass'y – Incl. Items 3 And 4
3	1	237032	B	Clutch Piston Outer Seal – Incl. In Item 2
4	1	234113	B	Clutch Piston Inner Seal – Incl. Item 2
5	1	4203876	D	Clutch Piston Wear Plate
6	1	4203878	D	Piston Return Spring
7	1	4203877	D	Spring Retainer
8	1	234350	B	Retainer Snap Ring
9	1	4204265	D	Clutch Outer Half Disc
10	8	4204267	D	Clutch Inner Disc
11	7	4204266	D	Clutch Outer Disc
12	1	4204265	D	Clutch Outer Half Disc
13	1	4206067	D	Assy. End Plate & Seal – Incl. Item 14
14	1	4206069	B	Backing Plate Seal – Incl. In Item 13
15	1	234111	C	Clutch Disc Backing Plate Snap Ring
16	1	4203742		Clutch Piston & Seals Ass'y. – Incl. Item 17 And 18
17	1	237032		Clutch Piston Outer Seal – Incl. In Item 16
18	1	234113		Clutch Piston Inner Seal – Incl. In Item 16
19	1	4203876		Clutch Piston Wear Plate
20	1	4203878		Piston Return Spring
21	1	4203877		Spring Retainer
22	1	234350		Retainer Snap Ring
23	1	4204265		Clutch Outer Half Disc
24	4	4204267		Clutch Inner Disc
25	3	4204266		Clutch Outer Disc
26	1	4204265		Clutch Outer Half Disc
27	1	4204253		Clutch Disc Backing Plate
28	1	234111		Clutch Disc Backing Plate Snap Ring

N.S.S. – Not Sold Separately
% - Part Stock Recommendation

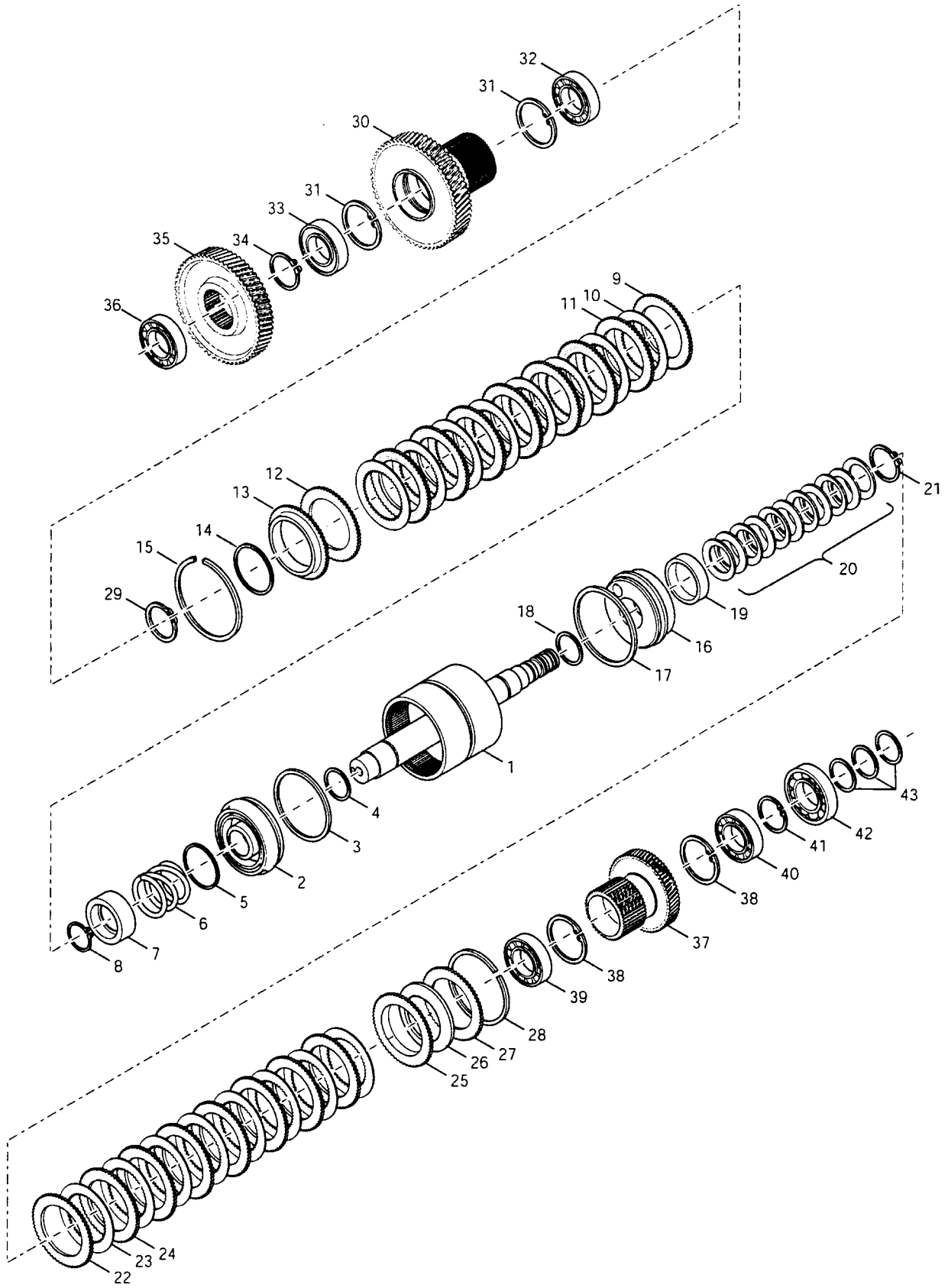


<u>Item</u>	<u>Qty</u>	<u>Part Number</u>	<u>%</u>	<u>Description</u>
29	1	5JM50	C	Bearing Snap Ring
30	1	4206066	E	Forward Low Clutch Gear (54T)
31	2	7JM80	C	Forward Low Clutch Gear Bearing Locating Ring
32	1	230885	C	Forward Low Clutch Gear Inner Bearing
33	1	4204256	C	Forward Low Clutch Gear Outer Bearing – Shield Out
34	1	5JM50		Bearing Snap Ring
35	1	4203980	E	Forward Driven Gear (42T)
36	1	4204257	C	Fwd Low / Fwd High Shaft Front Bearing
37	1	4203946		Thrust Bearing Spacer
38	1	4203947	C	Forward High Clutch Gear Thrust Bearing
39	1	4203945	C	Forward High Clutch Gear Needle Bearing
40	1	4203985	E	Forward High Clutch Gear (34T)
41	1	4203945		Forward High Clutch Gear Needle Bearing
42	1	4203947		Forward High Clutch Gear Thrust Bearing
43	1	4203946		Thrust Bearing Spacer
44	1	237972	C	Fwd Low / Fwd High Shaft Rear Bearing
45	3	4203872	B	Fwd Low / Fwd High Shaft Piston Ring

N.S.S. – Not Sold Separately
% - Part Stock Recommendation

T16000

REVERSE / 1ST SHAFT AND GEARS GROUP





T16000

REVERSE / 1ST SHAFT AND GEARS GROUP

<u>Item</u>	<u>Qty</u>	<u>Part Number</u>	<u>%</u>	<u>Description</u>
1	1	4207078	E	Reverse / 1 st Shaft Drum & Plug Ass'y
2	1	4203742		Clutch Piston & Seals Ass'y. – Incl. Items 3 And 4
3	1	237032		Clutch Piston Outer Seal – Incl. In Item 2
4	1	234113		Clutch Piston Inner Seal – Incl. In Item 2
5	1	4203876		Clutch Piston Wear Plate
6	1	4203878		Piston Return Spring
7	1	4203877		Spring Retainer
8	1	234350		Retainer Snap Ring
9	1	4204265		Clutch Outer Half Disc
10	8	4204267		Clutch Inner Disc
11	7	4204266		Clutch Outer Disc
12	1	4204265		Clutch Outer Half Disc
13	1	4206067		Assy. – End Plate & Seal – Incl. Item 14
14	1	4206069		Backing Plate Seal – Incl. In Item 13
15	1	234111		Clutch Disc Backing Plate Snap Ring
16	1	4203742		Clutch Piston & Seals Ass'y. – Incl. Items 17 And 18
17	1	237032		Clutch Piston Outer Seal – Incl. In Item 16
18	1	234113		Clutch Piston Inner Seal – Incl. In Item 16
19	1	4204300		Clutch Piston Wear Plate
20	1	4203887		Piston Return Spring (Belleville Washer)
21	1	234350		Snap Ring
22	1	4204265		Clutch Outer Half Disc
23	8	4204267		Clutch Inner Disc
24	7	4204266		Clutch Outer Disc
25	1	4204265		Clutch Outer Half Disc
26	1	4203880	D	Modulation Spring
27	1	4204253		Clutch Disc Backing Plate
28	1	234111		Clutch Disc Backing Plate Snap Ring

N.S.S. – Not Sold Separately

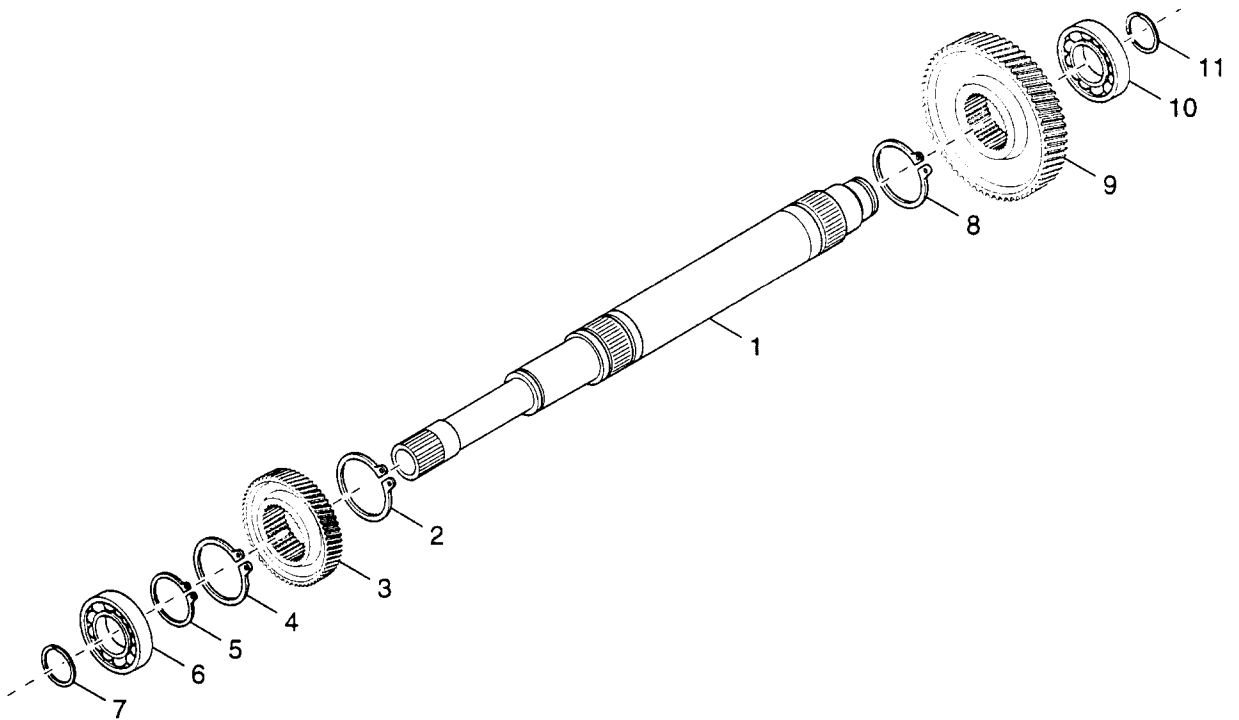
% - Part Stock Recommendation



<u>Item</u>	<u>Qty</u>	<u>Part Number</u>	<u>%</u>	<u>Description</u>
29	1	5JM50		Bearing Snap Ring
30	1	4206066		Reverse Clutch Gear (54T)
31	2	7JM80		Reverse Clutch Gear Locating Ring
32	1	230885		Reverse Clutch Gear Inner Bearing
33	1	4204256		Reverse Clutch Gear Outer Bearing – Shield Out
34	1	5JM50		Bearing Snap Ring
35	1	4203981	E	Reverse Driven Gear (50T)
36	1	4204257		Reverse / 1 st Shaft Front Bearing
37	1	4203986	E	1 st Clutch Gear (30T)
38	2	7JM75	C	1 st Clutch Gear Bearing Locating Ring
39	1	230860	C	1 st Clutch Gear Inner Bearing
40	1	233390	C	1 st Clutch Gear Outer Bearing – Shield out
41	1	5JM45	C	Bearing Snap Ring
42	1	4204314	C	Reverse / 1 st Shaft Rear Bearing
43	3	4203872		Reverse / 1 st Shaft Piston Ring

T16000

INPUT SHAFT GROUP





T16000

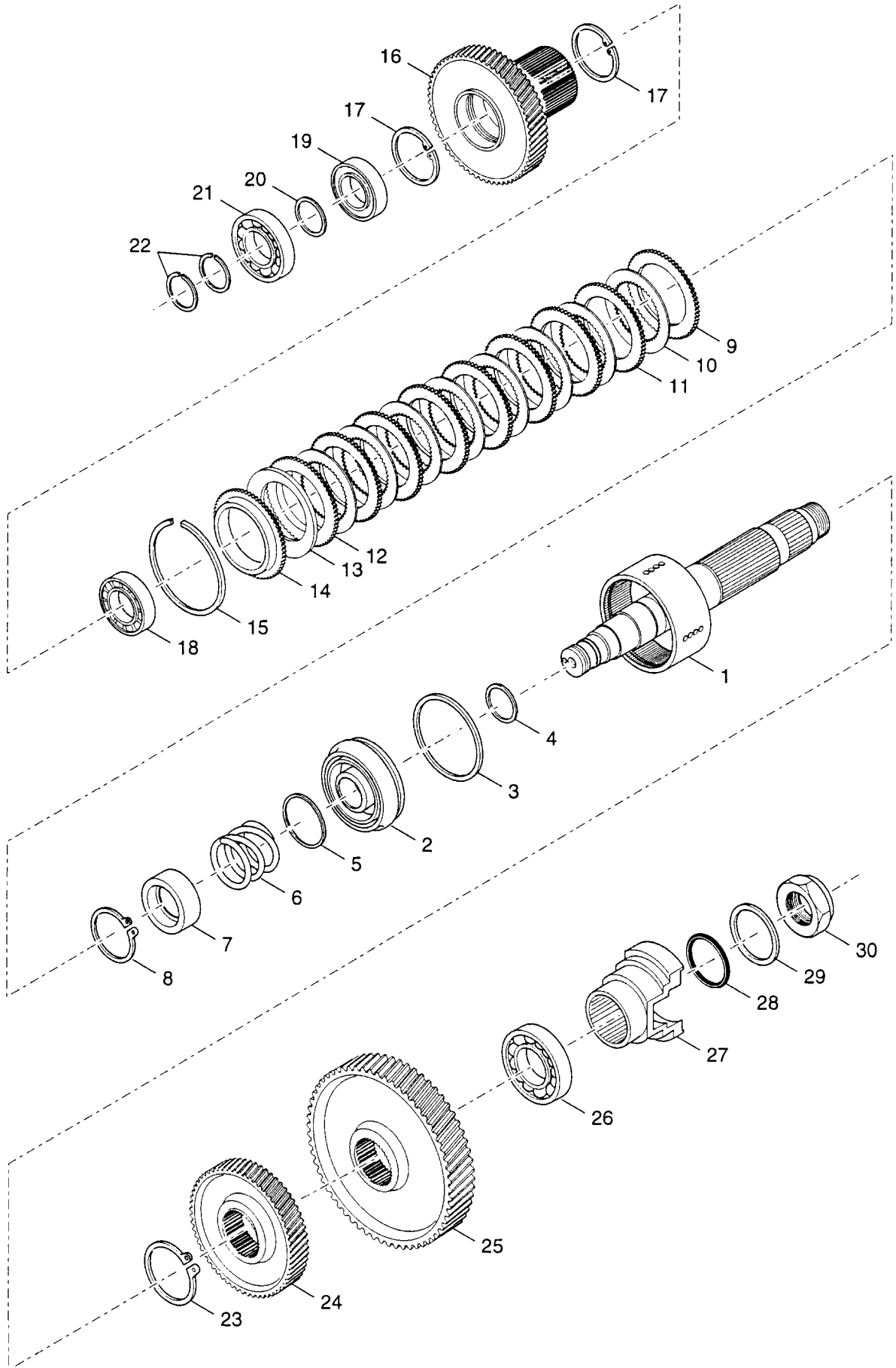
INPUT SHAFT GROUP

<u>Item</u>	<u>Qty</u>	<u>Part Number</u>	<u>%</u>	<u>Description</u>
1	1	4204232	E	Input Shaft
2	1	4204251		Forward Low Gear Snap Ring
3	1	4203978	E	Forward Low Gear (26T)
4	1	5JM50		Forward Low Gear Snap Ring
5	1	5JM40		Input Shaft Front Bearing Snap Ring
6	1	4204314	D	Input Shaft Front Bearing
7	1	4203872	B	Input Shaft Piston Ring
8	1	5JM50		Forward High Gear Snap Ring
9	1	4203977	E	Forward High Gear (62T)
10	1	501.0118		Input Shaft Rear Bearing
11	1	4203872		Input Shaft Piston Ring

N.S.S. – Not Sold Separately
% - Part Stock Recommendation

T16000

2ND SHAFT GROUP





T16000

2ND SHAFT GROUP

<u>Item</u>	<u>Qty</u>	<u>Part Number</u>	<u>%</u>	<u>Description</u>
1	1	4204307		2 nd Shaft, Hub, Drum And Plug Assembly
2	1	4203742		Clutch Piston & Seals Ass'y. – Incl. Items 3 And 4
3	1	237032		Clutch Piston Outer Seal – Incl. In Item 2
4	1	234113		Clutch Piston Inner Seal – Incl. In Item 2
5	1	4203876		Clutch Piston Wear Plate
6	1	4203878		Piston Return Spring
7	1	4203877		Spring Retainer
8	1	234350		Retainer Snap Ring
9	1	4204265		Clutch Outer Half Disc
10	8	4204267		Clutch Inner Disc
11	7	4204266		Clutch Outer Disc
12	1	4204265		Clutch Outer Half Disc
13	1	4203880		Modulation Spring
14	1	4204253		Clutch Disc Backing Plate
15	1	234111		Clutch Disc Backing Plate Snap Ring
16	1	4203984		2 nd Clutch Gear (52T)
17	2	7JM75		2 nd Clutch Gear Bearing Locating Ring
18	1	230860		2 nd Clutch Gear Inner Bearing
19	1	233390		2 nd Clutch Gear Outer Bearing – Shield Out
20	1	4203899		Bearing Support Washer
21	1	501.0118		2 nd Shaft Front Bearing
22	2	4203872		2 nd Shaft Piston Ring
23	1	249936	C	Gear Retainer Snap Ring
24	1	4203979	E	Lower Output Drive Gear (41T)
25	1	4203982	E	Upper Output Gear (59T)
26	1	4204258	C	2 nd Shaft Rear Bearing
27	1	4203852	E	Upper Output Flange (Yoke 1410)
28	1	25K60128	B	Output Flange "O" Ring

N.S.S. – Not Sold Separately

% - Part Stock Recommendation



SPICER OFF-HIGHWAY

Date: 02/09/97

Revised :

MODEL : 4500716

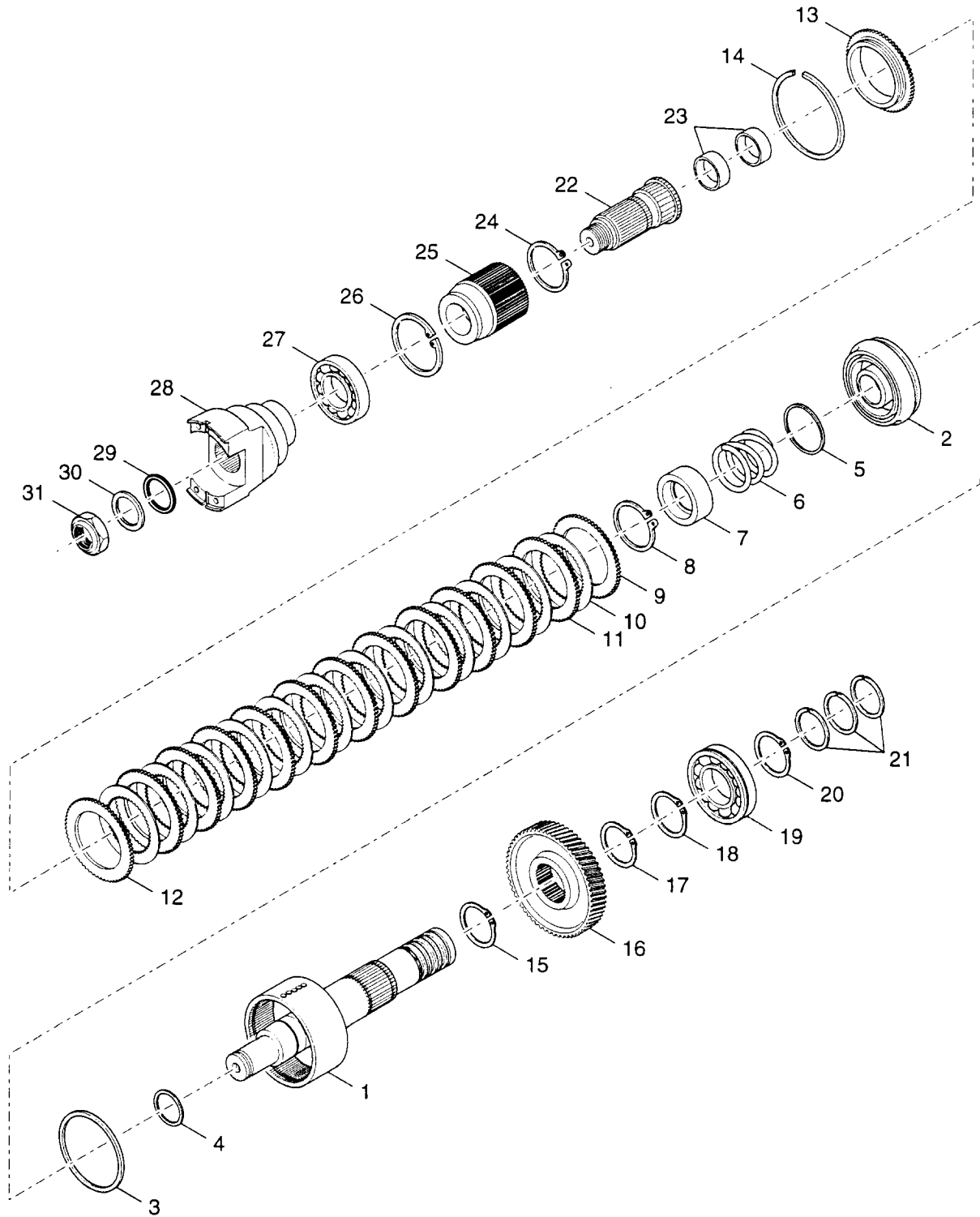
O
GROUP

<u>Item</u>	<u>Qty</u>	<u>Part Number</u>	<u>%</u>	<u>Description</u>
29	1	231916		Output Flange Washer
30	1	215634	C	Output Flange Nut

N.S.S. – Not Sold Separately
% - Part Stock Recommendation

T16000

OUTPUT SHAFT WITH INTERNAL DISCONNECT GROUP





T16000

OUTPUT SHAFT WITH INTERNAL DISCONNECT GROUP

<u>Item</u>	<u>Qty</u>	<u>Part Number</u>	<u>%</u>	<u>Description</u>
1	1	4204291	E	Rear Output Shaft Drum & Plug Assembly
2	1	4203742		Clutch Piston & Seals Ass'y. – Incl. Items 3 And 4
3	1	237032		Clutch Piston Outer Seal – Incl. In Item 2
4	1	234113		Clutch Piston Inner Seal – Incl. In Item 2
5	1	4203876		Clutch Piston Wear Plate
6	1	4203878		Piston Return Spring
7	1	4203877		Spring Retainer
8	1	234350		Retainer Snap Ring
9	1	4204265		Clutch Outer Half Disc
10	12	4204267		Clutch Inner Disc
11	11	4204266		Clutch Outer Disc
12	1	4204265		Clutch Outer Half Disc
13	1	4204253		Clutch Disc Backing Plate
14	1	234111		Clutch Disc Backing Plate Snap Ring
15	1	5JM65	C	Gear Retainer Snap Ring
16	1	4203983		Lower Output Gear (39T)
17	1	5JM65		Gear Retainer Ring
18	1	5JM60		Gear Retainer Ring
19	1	4204260		Output Shaft Rear Bearing
20	1	5JM60		Output Shaft Rear Bearing Snap Ring
21	3	4203898		Output Shaft Piston Ring
22	1	4204261	E	Front Output Shaft Assembly – Incl. Item 23
23	2	4205018	C	Output Shaft Bushing – Incl. In Item 22
24	1	249936		Gear Retainer Snap Ring
25	1	4203988		Disconnect Hub
26	1	7JM100	C	Retainer Ring
27	1	225874	C	Output Shaft Front Bearing
28	1	4203852	E	Front Output Flange (Yoke 1410)

N.S.S. – Not Sold Separately
% - Part Stock Recommendation



SPICER OFF-HIGHWAY

Date: 02/01/97

Revised :

MODEL : 4500717

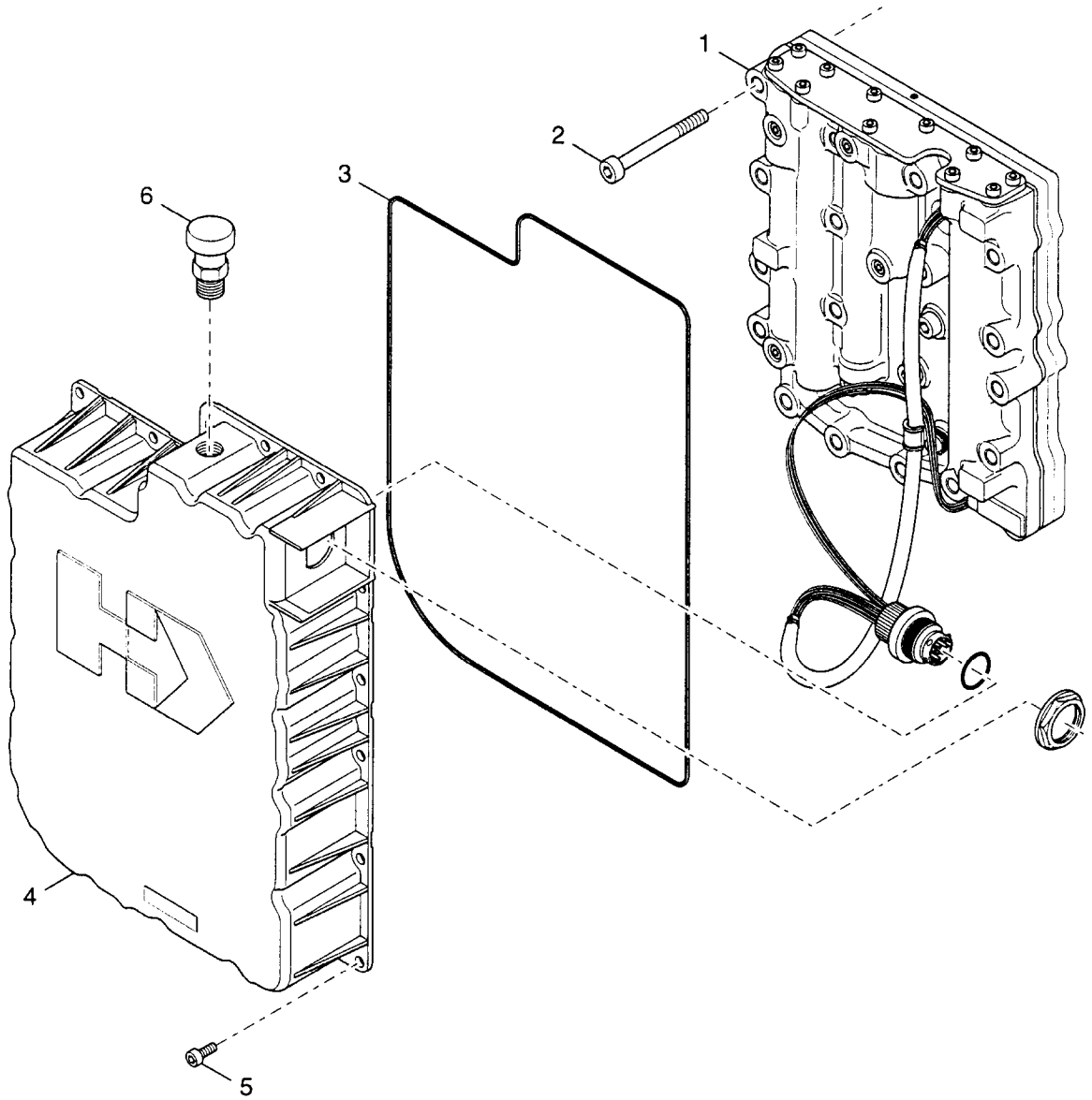
A
GROUP

<u>Item</u>	<u>Qty</u>	<u>Part Number</u>	<u>%</u>	<u>Description</u>
29	1	25K60128		Output Flange "O" Ring
30	1	231916		Output Flange Washer
31	1	215634		Output Flange Nut

N.S.S. – Not Sold Separately
% - Part Stock Recommendation

T16000

CONTROL VALVE MOUNTING GROUP





T16000

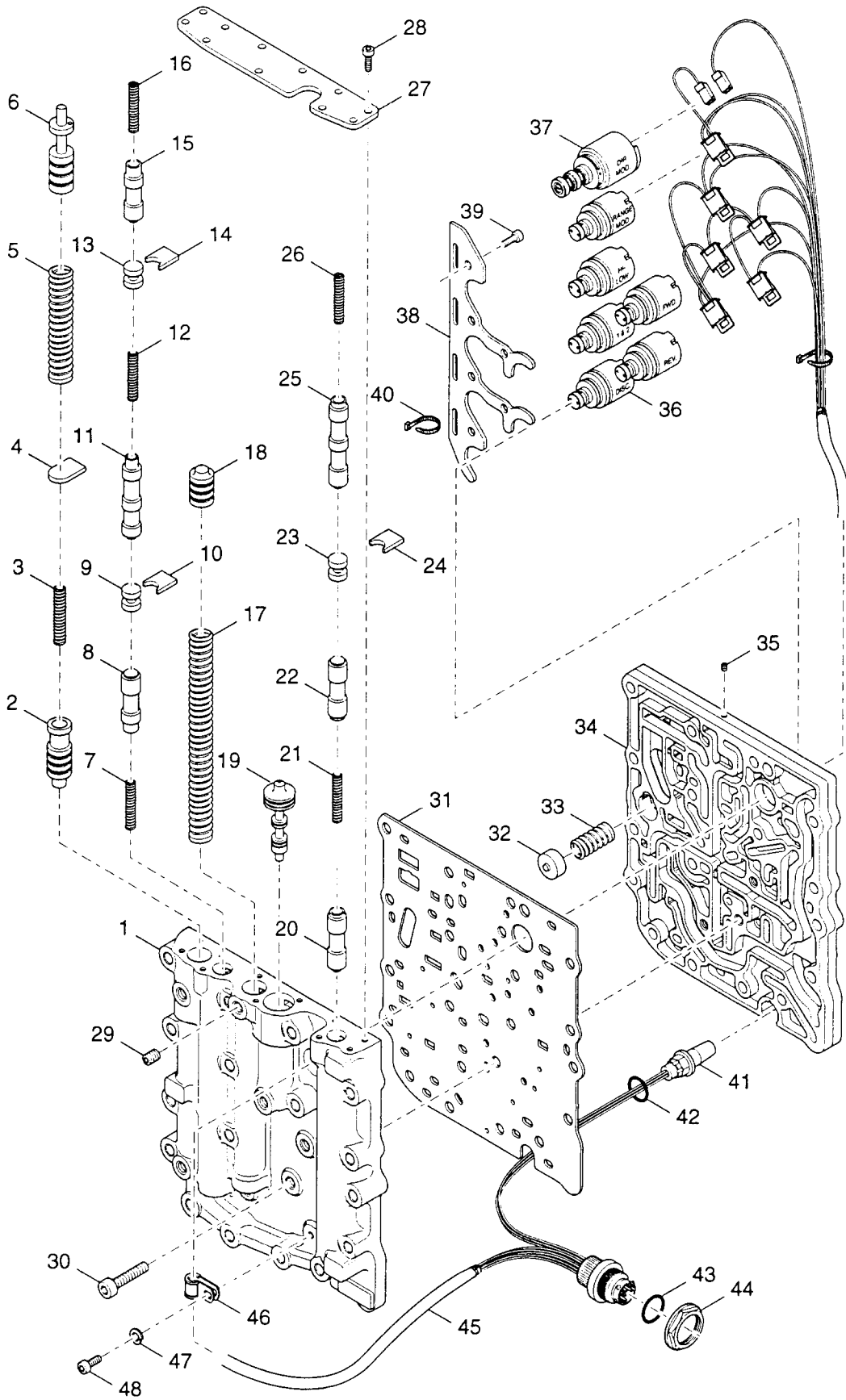
CONTROL VALVE MOUNTING GROUP

<u>Item</u>	<u>Qty</u>	<u>Part Number</u>	<u>%</u>	<u>Description</u>
1	1	4205806	E	Control Valve Assembly
2	17	1GM865		Control Valve Mounting Screw
3	1	4203922	B	Control Valve Protection Cover Seal
4	1	4204264		Control Valve Protection Cover Assembly – Incl. Item 6
5	9	1GM612		Protection Cover Screw
6	1	238535	D	Air Breather – Part Of Item 4

N.S.S. – Not Sold Separately
% - Part Stock Recommendation

T16000

CONTROL VALVE ASSEMBLY





T16000

CONTROL VALVE ASSEMBLY

<u>Item</u>	<u>Qty</u>	<u>Part Number</u>	<u>%</u>	<u>Description</u>
1	1	N.S.S.		Spool Body
2	1	N.S.S.		Pressure Reducer Spool
3	1	N.S.S.		Pressure Reducer Spring
4	1	N.S.S.		Separator Plate
5	1	N.S.S.		Pressure Regulator Spring
6	1	N.S.S.		Pressure Regulator Spool
7	1	N.S.S.		Pilot Spool Spring
8	1	N.S.S.		Disconnect Spool
9	1	N.S.S.		Spool Stop
10	1	N.S.S.		Separator Plate
11	1	N.S.S.		1 st / 2 nd Spool
12	1	N.S.S.		Pilot Spool Spring
13	1	N.S.S.		Spool Stop
14	1	N.S.S.		Separator Plate
15	1	N.S.S.		Range Modulation Spool
16	1	N.S.S.		Pilot Spool Spring
17	1	N.S.S.		Accumulator Spring
18	1	N.S.S.		Accumulator Spool
19	1	N.S.S.		Booster Spool
20	1	N.S.S.		Reverse Spool
21	1	N.S.S.		Pilot Spool Spring
22	1	N.S.S.		Forward Spool
23	1	N.S.S.		Spool Stop
24	1	N.S.S.		Separator Plate
25	1	N.S.S.		Fwd. Low / Fwd. High. Spool
26	1	N.S.S.		Pilot Spool Spring
27	1	N.S.S.		Spool Cover
28	11	1GM512		Spool Cover Screw

N.S.S. – Not Sold Separately

% - Part Stock Recommendation



<u>Item</u>	<u>Qty</u>	<u>Part Number</u>	<u>%</u>	<u>Description</u>
29	2	239244		Check Port Plugs
30	3	1GM830		Spool Body To Solenoid Plate Screw
31	1	N.S.S.		Spacer Plate
32	1	4203943		Bypass Valve Spool
33	1	4203944		Bypass Valve Spring
34	1	N.S.S.		Solenoid Plate
35	6	4203975		Plug
36	6	4203147		Solenoid
37	1	4203146		Electronic Controlled Modulation Valve
38	1	N.S.S.		Solenoid Clamp
39	6	1GM512		Solenoid Clamp Screw
40	6	4202198		Wiring Strap
41	1	4205804		Speed Sensor
42	1	60K30022	B	Speed Sensor "O" Ring
43	1	60K40030	B	Jam Nut "O" Ring
44	1	N.S.S.		Jam Nut
45	1	4205805		Wiring Harness, "O" Rings, Jam Nut And Speed Sensor Ass'y. Incl. Items 41, 42, 43 And 44
46	1	4203974		Wiring Clamp
47	1	1EM50		Clamp Screw LockWasher
48	1	1GM510		Clamp Screw
49	1	4205806		Control Valve Assembly – Including Items 1 Thru 48

N.S.S. – Not Sold Separately

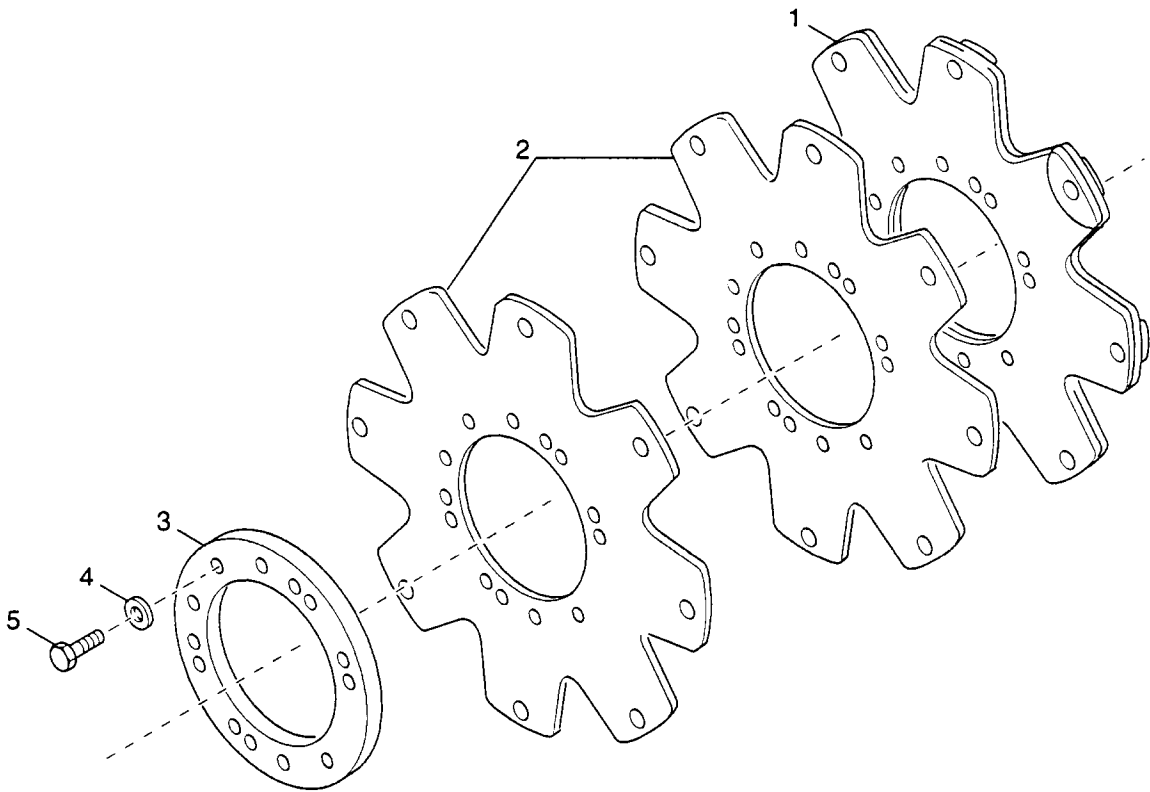
% - Part Stock Recommendation

Page 2

GRP-T16-131 11-96

T16000

DRIVE PLATE GROUP





T16000

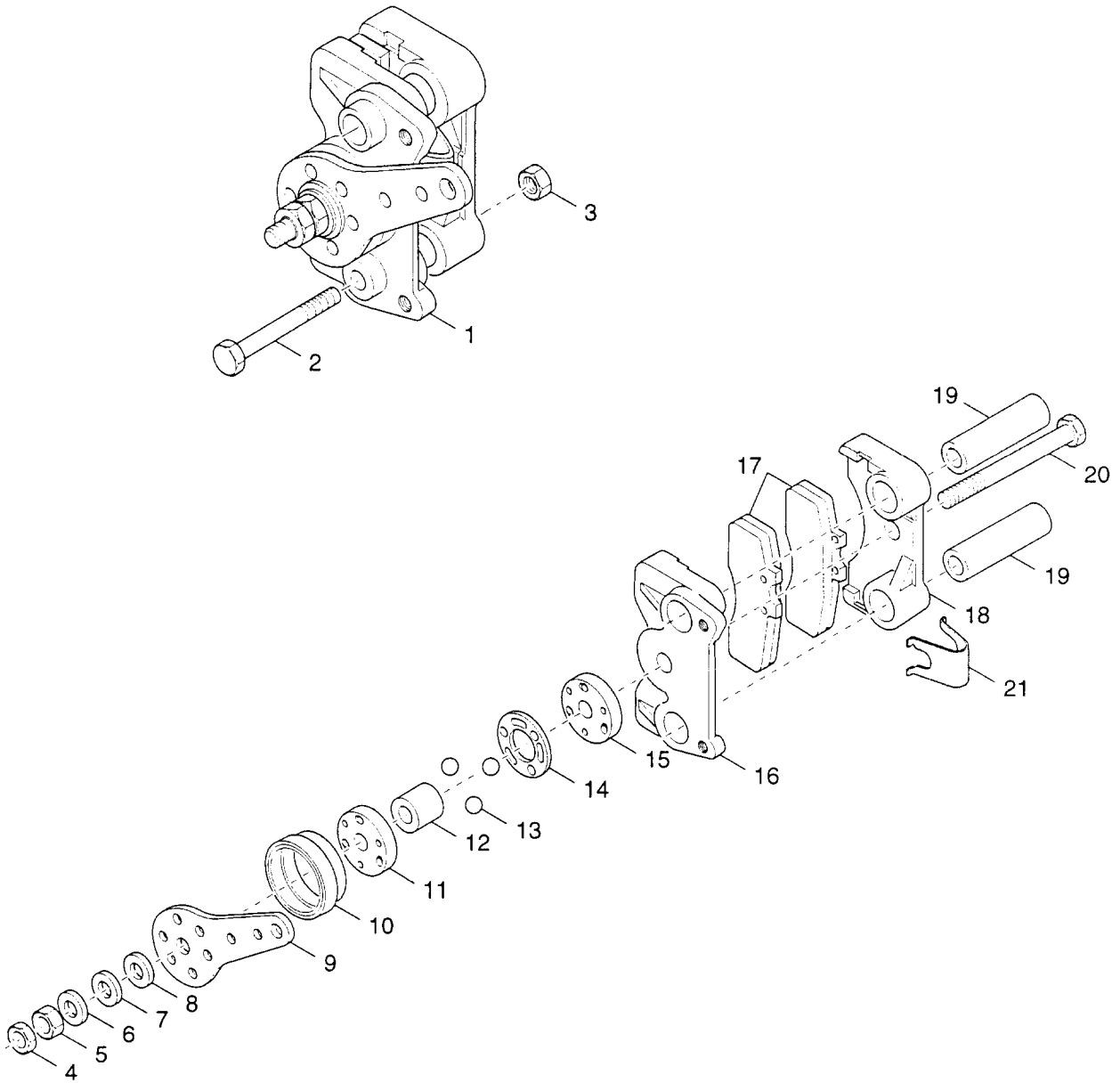
DRIVE PLATE GROUP

<u>Item</u>	<u>Qty</u>	<u>Part N°</u>	<u>%</u>	<u>Description</u>
1	1	N.S.S.	D	Drive Plate Assembly – Including In Item 6
2	2	N.S.S.		Drive Plate – Including In Item 6
3	1	246615	B	Drive Plate Backing Ring
4	6	4E6		Drive Plate Mounting Screw Lockwasher
5	6	2C608		Drive Plate Mounting Screw
6	1	814987	D	Drive Plate Assembly Kit – Including Item 1 Thru 5

N.S.S. – Not Sold Separately
% - Part Stock Recommendation

T16000

PARKING BRAKE GROUP





T16000

PARKING BRAKE GROUP

<u>Item</u>	<u>Qty</u>	<u>Part Number</u>	<u>%</u>	<u>Description</u>
1	1	4205399	E	Parking Brake Assembly – Incl. Items 4 Thru 21 and 24
2	2	17C872		Parking Brake Mounting Screw
3	2	63D8		Parking Brake Mounting Screw Nut
4	1	4203438	D	Jam Adjusting Nut
5	1	4203437		Adjustment Nut
6	1	4203436		Hardened Washer
7	1	4203435		Stainless Steel Washer
8	1	N.S.S.		Trust Washer – See Item 23
9	1	4203434	E	Lever
10	1	N.S.S.		Boot – See Item 23
11	1	4203431	D	Cam
12	1	N.S.S.		Id Seal – See Item 23
13	3	4203433		Ball
14	1	4203432	D	Plastic Retainer
15	1	4203431		Cam
16	1	N.S.S.		Front Torque Plate – Part Of Item 1
17	2	N.S.S.		Carrier And Lining Assembly – See Item 22 Or 23
18	1	N.S.S.		Rear Torque Plate – Part Of Item 1
19	2	4203429		Mounting Sleeve
20	1	4203430	D	Adjusting Bold
21	1	N.S.S.		Spring – See Item 22 Or 23
22	1	4203440	C	Brake Assembly Lining Kit – Incl. Items 17 And 21
23	1	4203439	D	Hardware Parts Kid – Incl. Items 8, 10, 12 And 22
24	2	4205462	C	Seal – Sleeve – Not Illustrated

N.S.S. – Not Sold Separately

% - Part Stock Recommendation



Part Stocking Recommendation

The table below is a minimum spare parts inventory recommendation designated by letter code in each Service Parts List. Each letter code indicates a percentage for determining stock quantities to support the field population. Any quantity less than 1 or partial quantities need not be stocked.

Letter Code	Percentage	Example
A	15%	Part quantity = 10 per unit Field Population = 240 units Recommended stock = $240 \text{ units} \times 10 \text{ per unit} \times .15 = 360 \text{ parts}$
B	10%	Part quantity = 4 per unit Field Population = 66 units Recommended stock = $66 \text{ units} \times 4 \text{ per unit} \times .10 = 26.4 \text{ or } 26 \text{ parts}$
C	6%	Part quantity = 2 per unit Field Population = 203 units Recommended stock = $203 \text{ units} \times 2 \text{ per unit} \times .06 = 24.4 \text{ or } 24 \text{ parts}$
D	4%	Part quantity = AR* Field Population = 42 units Recommended stock = $42 \text{ units} \times 3 \text{ per unit} \times .04 = 5.04 \text{ or } 5 \text{ parts}$
E	2%	Part quantity = 1 per unit Field Population = 75 units Recommended stock = $75 \text{ units} \times 1 \text{ per unit} \times .02 = 1.5 \text{ or } 1 \text{ part}$
*Part quantities denoted by "AR" (as required) should be ordered by a quantity of 3 per unit.		

© Copyright 2013 Dana Holding Corporation
All content is subject to copyright by Dana and may not be reproduced in whole or in part by any means, electronic or otherwise, without prior written approval. THIS INFORMATION IS NOT INTENDED FOR SALE OR RESALE, AND THIS NOTICE MUST REMAIN ON ALL COPIES.

For product inquiries or support,
visit www.dana.com or call 419-887-6445
For other service publications,
visit www.SpicerParts.com/literature.asp
For online service parts ordering,
visit www.SpicerParts.com/order.asp



SPICER®

Off-Highway Products